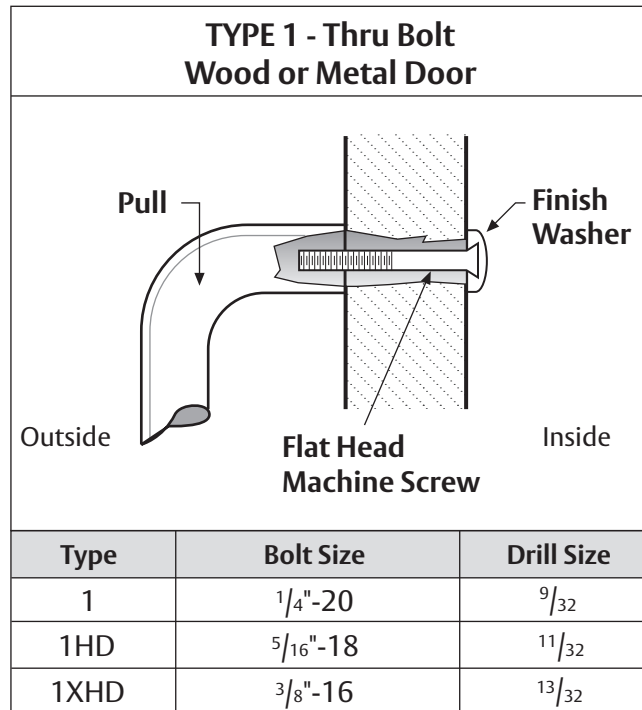


Rockwood Mounting Detail - Thru Bolt (Wood or Metal)

The global leader in
door opening solutions

For Installation Assistance, Call Rockwood Products at 800-458-2424 • www.rockwoodmfg.com



Note: Y base plates are recommended on wood or glass doors to make a stable and durable mounting.

Note: Heavy Duty (HD & XHD) mounting features hex drive for positive tightening and large overall size for superior strength. Recommended for high frequency and rough service openings.

NOT TO SCALE

300 Main Street
Rockwood, Pennsylvania 15557
P: 800.458.2424 | F: 800.922.9212
www.rockwoodmfg.com | orders.rockwood@assaabloy.com

Copyright © 2017, Rockwood Manufacturing Company, an ASSA ABLOY Group company. All rights reserved.
Reproduction in whole or in part without the express written permission of Rockwood Manufacturing Company is prohibited.