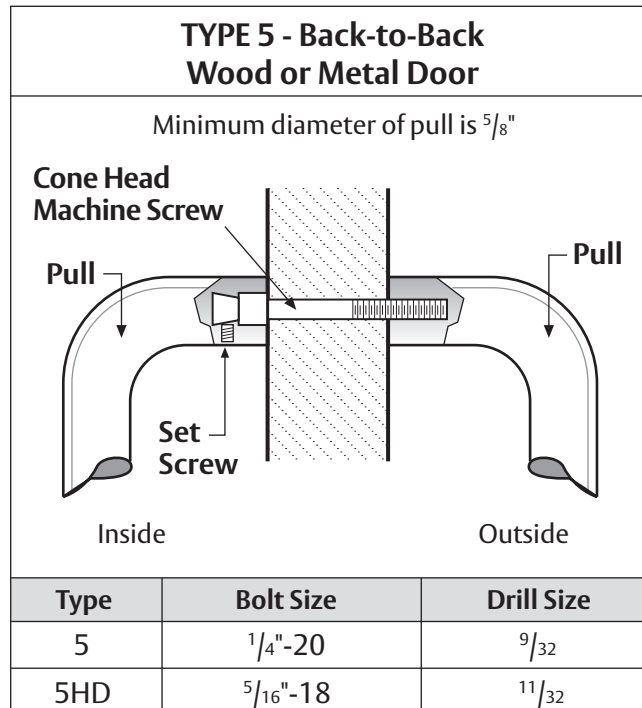


# Architectural Door Accessories

## Rockwood Mounting Detail - Back-to-Back (Wood or Metal)

The global leader in  
door opening solutions

For Installation Assistance, Call Rockwood Products at 800-458-2424 • [www.rockwoodmfg.com](http://www.rockwoodmfg.com)



**Note:** Y base plates are recommended on wood or glass doors to make a stable and durable mounting.

**Note:** Heavy Duty (HD) mounting features hex drive for positive tightening and large overall size for superior strength. Recommended for high frequency and rough service openings.

**NOT TO SCALE**

300 Main Street  
Rockwood, Pennsylvania 15557  
P: 800.458.2424 | F: 800.922.9212  
[www.rockwoodmfg.com](http://www.rockwoodmfg.com) | [orders.rockwood@assaabloy.com](mailto:orders.rockwood@assaabloy.com)

Copyright © 2017, Rockwood Manufacturing Company, an ASSA ABLOY Group company. All rights reserved.  
Reproduction in whole or in part without the express written permission of Rockwood Manufacturing Company is prohibited.