

# Architectural Door Accessories

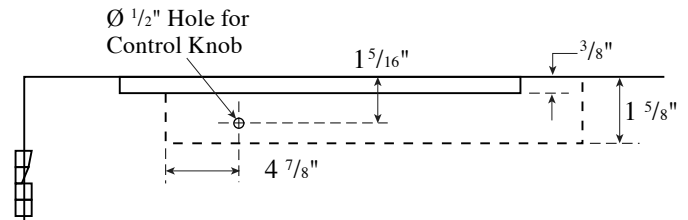
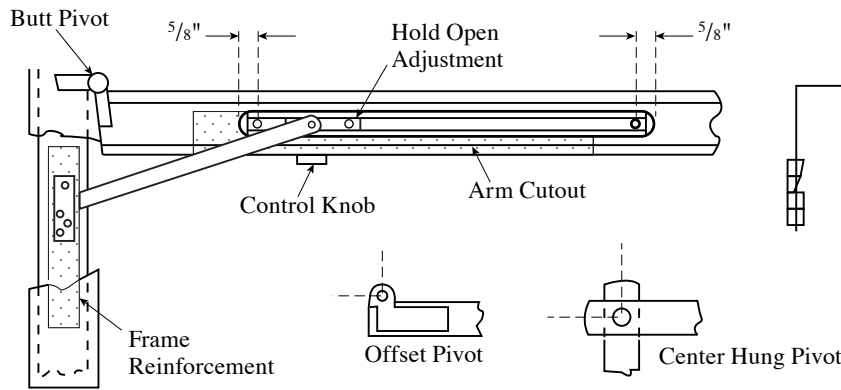
**ASSA ABLOY**

## Rockwood OH100 Series Heavy Duty Concealed - Stops and Holders

The global leader in  
door opening solutions

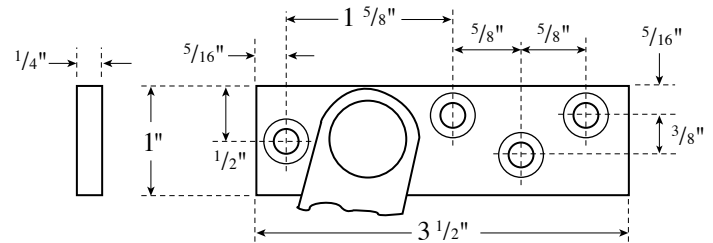
For Installation Assistance, Call Rockwood Products at 800-458-2424 • www.rockwoodmfg.com

NOT TO SCALE

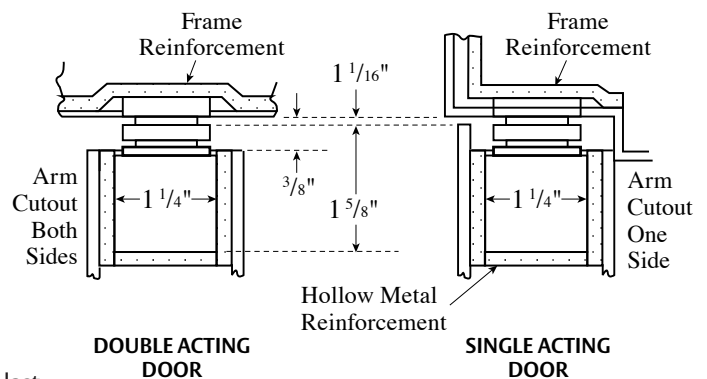


1. Determine degree of hold open or dead stop required. Then select proper dimensions from chart on opposite side of page. Add  $\frac{5}{8}$ " to "A" dimension for dead stop.

**NOTE:** A, B, and C dimensions are measured from hinge center, not edge of door.



2. Locate "B" dimension on frame and mortise  $\frac{1}{4}$ " deep for jamb bracket as shown.
3. Locate "A" and "F" dimensions on centerline of door and mortise  $1 \frac{5}{8}$ " deep for channel.  $\frac{1}{16}$ " head clearance shown. Coordinate the arm and rail cutout dimensions if head clearance varies.
4. Drill  $\frac{1}{2}$ " diameter control knob hole for door holders only.
5. Locate "C" and "E" dimensions on top of door and mortise  $\frac{3}{8}$ " deep as shown for arm cutout.
6. Install door stop or holder with screws provided. Install control knob last.



### NOTES:

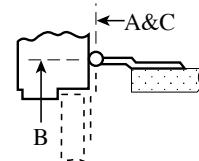
- All hollow metal frames are to be provided with  $\frac{3}{16}$ " min. thickness x 12" min. length reinforcement plates.
- All hollow metal doors are to be properly reinforced as shown.
- If dead stop is required add  $\frac{5}{8}$ " to "A" dimension as noted on opposite side of page.
- A, B and C dimensions are measured from centerline of pivot, not edge of door.
- Left hand shown, right hand opposite.

### FASTENERS:

Jamb:  $\frac{1}{4}$ "-20 x  $\frac{3}{4}$ " flat head machine screw or #14 x  $1 \frac{1}{2}$ " flat head wood screw.  
Door:  $\frac{5}{16}$ "-18 x  $1 \frac{1}{2}$ " flat head machine screw or #18 x 3" flat head wood screw.



**CAUTION:** Note location of swing clear hinge centerline to determine "A", "B" and "C" dimensions.



# Rockwood OH100 Series Heavy Duty Concealed - Stops and Holders (cont.)

When using center hung pivots, check pivot manufacturer's compatibility prior to specifying.

## No. 1 Series Concealed Door Stops and Holders

1. See other side for installation instructions.
2. Select proper dimensions noted below.
3. Add  $\frac{5}{8}$ " to "A" dimension for dead stop.
4. All dimensions given in inches.

	Device Number		Degree	85° H.O.				90° H.O.				95° H.O.				100° H.O.				105° H.O.				110° H.O.				
	H.O.	Stop	Door Opening	A	B	C	E	A	B	C	E	A	B	C	E	A	B	C	E	A	B	C	E	A	B	C	E	F
1 <sup>3</sup> / <sub>4</sub> - 2 <sup>1</sup> / <sub>4</sub> Butts & 3/4 Offset Pivot	101H	101S	24 - 28	4 <sup>7</sup> / <sub>16</sub>	5 <sup>1</sup> / <sub>2</sub>	4 <sup>3</sup> / <sub>4</sub>	11 <sup>7</sup> / <sub>8</sub>	4 1/8	5 <sup>3</sup> / <sub>16</sub>	4 <sup>1</sup> / <sub>2</sub>	13 <sup>1</sup> / <sub>4</sub>	* 3 <sup>13</sup> / <sub>16</sub>	* 4 <sup>7</sup> / <sub>8</sub>	* 3	* 14 <sup>7</sup> / <sub>16</sub>	* 3 <sup>1</sup> / <sub>2</sub>	* 4 <sup>9</sup> / <sub>16</sub>	* 1 <sup>1</sup> / <sub>2</sub>	* 15 <sup>5</sup> / <sub>8</sub>	* 3 <sup>1</sup> / <sub>4</sub>	* 4 <sup>5</sup> / <sub>16</sub>	* 0	* 16 <sup>7</sup> / <sub>8</sub>	* 3 <sup>1</sup> / <sub>16</sub>	* 4 <sup>1</sup> / <sub>8</sub>	* 0	* 16 <sup>5</sup> / <sub>8</sub>	17 <sup>3</sup> / <sub>16</sub>
	102H	102S	28 <sup>1</sup> / <sub>16</sub> - 33	6 <sup>3</sup> / <sub>16</sub>	6 <sup>9</sup> / <sub>16</sub>	6	15 <sup>3</sup> / <sub>4</sub>	5 13/16	6 <sup>3</sup> / <sub>16</sub>	5 <sup>1</sup> / <sub>2</sub>	15 <sup>7</sup> / <sub>8</sub>	5 <sup>7</sup> / <sub>16</sub>	5 <sup>13</sup> / <sub>16</sub>	4 <sup>1</sup> / <sub>2</sub>	16 <sup>1</sup> / <sub>2</sub>	* 5 <sup>1</sup> / <sub>8</sub>	* 5 <sup>1</sup> / <sub>2</sub>	* 3 <sup>1</sup> / <sub>2</sub>	* 17 <sup>3</sup> / <sub>16</sub>	* 4 <sup>7</sup> / <sub>8</sub>	* 5 <sup>1</sup> / <sub>4</sub>	* 2 <sup>1</sup> / <sub>4</sub>	* 18 <sup>3</sup> / <sub>16</sub>	* 4 <sup>3</sup> / <sub>8</sub>	* 5	* 1	* 19 <sup>1</sup> / <sub>8</sub>	18 <sup>7</sup> / <sub>16</sub>
	103H	103S	33 <sup>1</sup> / <sub>16</sub> - 38	9 <sup>3</sup> / <sub>4</sub>	7 <sup>7</sup> / <sub>8</sub>	7 <sup>3</sup> / <sub>4</sub>	19 <sup>1</sup> / <sub>16</sub>	9 5/16	7 <sup>1</sup> / <sub>16</sub>	7 <sup>1</sup> / <sub>4</sub>	19 <sup>1</sup> / <sub>8</sub>	8 <sup>7</sup> / <sub>8</sub>	7	6 <sup>3</sup> / <sub>4</sub>	19 <sup>1</sup> / <sub>8</sub>	8 <sup>7</sup> / <sub>16</sub>	6 <sup>9</sup> / <sub>16</sub>	6 <sup>1</sup> / <sub>4</sub>	19 <sup>1</sup> / <sub>4</sub>	8 <sup>1</sup> / <sub>8</sub>	6 <sup>1</sup> / <sub>4</sub>	5 <sup>1</sup> / <sub>2</sub>	19 <sup>5</sup> / <sub>8</sub>	7 <sup>7</sup> / <sub>8</sub>	6	4 <sup>1</sup> / <sub>4</sub>	20 <sup>5</sup> / <sub>8</sub>	19 <sup>15</sup> / <sub>16</sub>
	104H	104S	38 <sup>1</sup> / <sub>16</sub> - 43	12 <sup>11</sup> / <sub>16</sub>	9 <sup>11</sup> / <sub>16</sub>	9 <sup>1</sup> / <sub>2</sub>	22 <sup>3</sup> / <sub>8</sub>	12 3/16	9 <sup>3</sup> / <sub>16</sub>	9	22 <sup>3</sup> / <sub>8</sub>	11 <sup>11</sup> / <sub>16</sub>	8 <sup>11</sup> / <sub>16</sub>	8 <sup>1</sup> / <sub>2</sub>	22 <sup>3</sup> / <sub>8</sub>	11 <sup>3</sup> / <sub>16</sub>	8 <sup>3</sup> / <sub>16</sub>	8	22 <sup>3</sup> / <sub>8</sub>	10 <sup>3</sup> / <sub>4</sub>	7 <sup>3</sup> / <sub>4</sub>	7 <sup>1</sup> / <sub>2</sub>	22 <sup>3</sup> / <sub>8</sub>	10 <sup>7</sup> / <sub>16</sub>	7 <sup>7</sup> / <sub>16</sub>	7 <sup>1</sup> / <sub>4</sub>	22 <sup>3</sup> / <sub>8</sub>	22 <sup>1</sup> / <sub>16</sub>
	105H	105S	43 <sup>1</sup> / <sub>16</sub> - 48	16 <sup>5</sup> / <sub>16</sub>	11 <sup>1</sup> / <sub>16</sub>	10 <sup>3</sup> / <sub>4</sub>	26 <sup>1</sup> / <sub>4</sub>	15 11/16	10 <sup>7</sup> / <sub>16</sub>	10 <sup>1</sup> / <sub>4</sub>	26 <sup>1</sup> / <sub>4</sub>	15 <sup>1</sup> / <sub>16</sub>	9 <sup>13</sup> / <sub>16</sub>	9 <sup>1</sup> / <sub>2</sub>	26 <sup>1</sup> / <sub>4</sub>	14 <sup>9</sup> / <sub>16</sub>	9 <sup>5</sup> / <sub>16</sub>	9	26 <sup>1</sup> / <sub>4</sub>	14 <sup>1</sup> / <sub>8</sub>	8 <sup>7</sup> / <sub>8</sub>	8 <sup>3</sup> / <sub>4</sub>	26 <sup>1</sup> / <sub>4</sub>	13 <sup>3</sup> / <sub>4</sub>	8 <sup>1</sup> / <sub>2</sub>	8 <sup>1</sup> / <sub>4</sub>	26 <sup>1</sup> / <sub>4</sub>	23 <sup>9</sup> / <sub>16</sub>

**NOTE:**

A, B, and C dimensions measured from centerline of pivot, not edge of door.

	Device Number		Degree	85° H.O.				90° H.O.				95° H.O.				100° H.O.				105° H.O.				110° H.O.				
	H.O.	Stop	Door Opening	A	B	C	E	A	B	C	E	A	B	C	E	A	B	C	E	A	B	C	E	A	B	C	E	F
1 <sup>3</sup> / <sub>4</sub> - 2 <sup>1</sup> / <sub>4</sub> Center Hung	-	-	-	-	-	-	-	-	-	-	-	-	-	-	-	-	-	-	-	-	-	-	-	-	-	-	-	-
	102H	102S	30-36	6 <sup>5</sup> / <sub>8</sub>	7	6 <sup>3</sup> / <sub>4</sub>	15 <sup>3</sup> / <sub>8</sub>	6 <sup>1</sup> / <sub>4</sub>	6 <sup>5</sup> / <sub>8</sub>	6 <sup>3</sup> / <sub>8</sub>	15 <sup>3</sup> / <sub>8</sub>	5 <sup>7</sup> / <sub>8</sub>	6 <sup>1</sup> / <sub>4</sub>	6	15 <sup>3</sup> / <sub>8</sub>	5 <sup>9</sup> / <sub>16</sub>	5 <sup>15</sup> / <sub>16</sub>	5 <sup>3</sup> / <sub>4</sub>	15 <sup>3</sup> / <sub>8</sub>	5 <sup>5</sup> / <sub>16</sub>	5 <sup>11</sup> / <sub>16</sub>	5 <sup>1</sup> / <sub>2</sub>	15 <sup>3</sup> / <sub>8</sub>	-	-	-	19 <sup>1</sup> / <sub>8</sub>	18 <sup>7</sup> / <sub>16</sub>
	103H	103S	36 <sup>1</sup> / <sub>16</sub> - 41	10 <sup>3</sup> / <sub>8</sub>	8 <sup>1</sup> / <sub>2</sub>	8 <sup>1</sup> / <sub>4</sub>	19 <sup>1</sup> / <sub>8</sub>	9 <sup>7</sup> / <sub>8</sub>	8	7 <sup>3</sup> / <sub>4</sub>	19 <sup>1</sup> / <sub>8</sub>	9 <sup>7</sup> / <sub>16</sub>	7 <sup>9</sup> / <sub>16</sub>	7 <sup>3</sup> / <sub>8</sub>	19 <sup>1</sup> / <sub>8</sub>	9 <sup>1</sup> / <sub>16</sub>	7 <sup>3</sup> / <sub>16</sub>	7	19 <sup>1</sup> / <sub>8</sub>	8 <sup>11</sup> / <sub>16</sub>	6 <sup>13</sup> / <sub>16</sub>	6 <sup>1</sup> / <sub>2</sub>	19 <sup>1</sup> / <sub>8</sub>	8 <sup>3</sup> / <sub>8</sub>	6 <sup>1</sup> / <sub>2</sub>	6 <sup>1</sup> / <sub>4</sub>	19 <sup>1</sup> / <sub>8</sub>	19 <sup>15</sup> / <sub>16</sub>
	104H	104S	41 <sup>1</sup> / <sub>16</sub> - 46	13 <sup>1</sup> / <sub>4</sub>	10 <sup>1</sup> / <sub>4</sub>	10	22 <sup>3</sup> / <sub>8</sub>	12 <sup>5</sup> / <sub>8</sub>	9 <sup>5</sup> / <sub>8</sub>	9 <sup>3</sup> / <sub>8</sub>	22 <sup>3</sup> / <sub>8</sub>	12 <sup>1</sup> / <sub>8</sub>	9 <sup>1</sup> / <sub>8</sub>	9	22 <sup>3</sup> / <sub>8</sub>	11 <sup>5</sup> / <sub>8</sub>	8 <sup>5</sup> / <sub>8</sub>	8 <sup>1</sup> / <sub>2</sub>	22 <sup>3</sup> / <sub>8</sub>	11 <sup>1</sup> / <sub>4</sub>	8 <sup>1</sup> / <sub>4</sub>	8	22 <sup>3</sup> / <sub>8</sub>	10 <sup>7</sup> / <sub>8</sub>	7 <sup>7</sup> / <sub>8</sub>	7 <sup>3</sup> / <sub>4</sub>	22 <sup>3</sup> / <sub>8</sub>	22 <sup>1</sup> / <sub>16</sub>
	105H	105S	46 <sup>1</sup> / <sub>16</sub> - 50	17	11 <sup>3</sup> / <sub>4</sub>	11 <sup>1</sup> / <sub>2</sub>	26 <sup>1</sup> / <sub>8</sub>	16 <sup>1</sup> / <sub>4</sub>	11	10 <sup>3</sup> / <sub>4</sub>	26 <sup>1</sup> / <sub>8</sub>	15 <sup>9</sup> / <sub>16</sub>	10 <sup>5</sup> / <sub>16</sub>	10	26 <sup>1</sup> / <sub>8</sub>	15 <sup>1</sup> / <sub>16</sub>	9 <sup>13</sup> / <sub>16</sub>	9 <sup>1</sup> / <sub>2</sub>	26 <sup>1</sup> / <sub>8</sub>	14 <sup>5</sup> / <sub>8</sub>	9 <sup>3</sup> / <sub>8</sub>	9	26 <sup>1</sup> / <sub>8</sub>	14 <sup>3</sup> / <sub>16</sub>	8 <sup>15</sup> / <sub>16</sub>	8 <sup>3</sup> / <sub>4</sub>	26 <sup>1</sup> / <sub>8</sub>	23 <sup>9</sup> / <sub>16</sub>

\* Butt mounting only. Reversible, non-handed.

300 Main Street  
 Rockwood, Pennsylvania 15557  
 P: 800.458.2424 | F: 800.922.9212  
[www.rockwoodmfg.com](http://www.rockwoodmfg.com) | [orders.rockwood@assaabloy.com](mailto:orders.rockwood@assaabloy.com)