

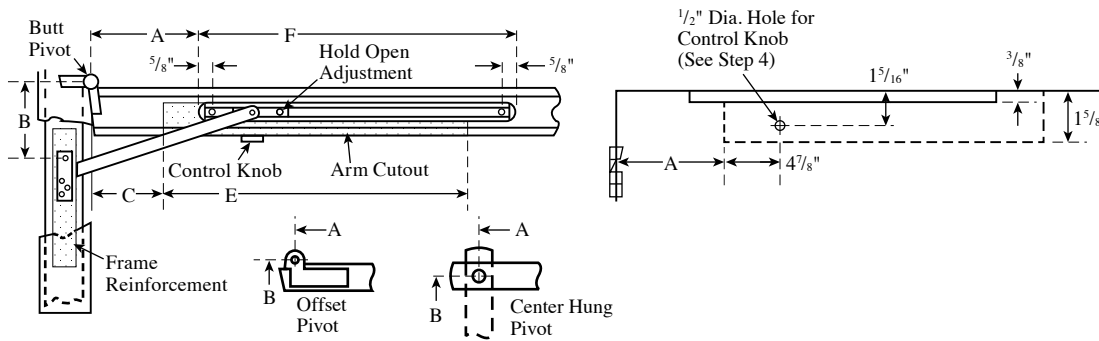
Architectural Door Accessories

ASSA ABLOY

Rockwood OH100 Series Concealed Door Stops and Holders

The global leader in
door opening solutions

NOT TO SCALE

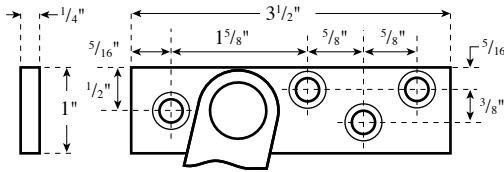


INSTALLATION INSTRUCTIONS

1. Determine degree of hold open or dead stop required. Then select proper dimensions from chart on opposite side of page. Add $\frac{5}{8}$ " to "A" dimension for dead stop.

NOTE:

A, B, and C dimensions are measured from hinge center, not edge of door.



2. Locate "B" dimension on frame and mortise $\frac{1}{4}$ " deep for jamb bracket as shown.
3. Locate "A" and "F" dimensions on centerline of door and mortise $\frac{1}{8}$ " deep for channel. $\frac{1}{16}$ " head clearance shown. Coordinate the arm and rail cutout dimensions if head clearance varies.
4. Drill $\frac{1}{2}$ " diameter control knob hole for door holders only.
5. Locate "C" and "E" dimensions on top of door and mortise $\frac{3}{8}$ " deep as shown for arm cutout.
6. Install door stop or holder with screws provided. Install control knob last.

NOTES:

- All hollow metal frames are to be provided with $\frac{3}{16}$ " min. thickness x 12" min. length reinforcement plates.
- All hollow metal doors are to be properly reinforced as shown.
- If dead stop is required add $\frac{5}{8}$ " to "A" dimension as noted on opposite side of page.
- A, B and C dimensions are measured from centerline of pivot, not edge of door.
- Left hand shown, right hand opposite.

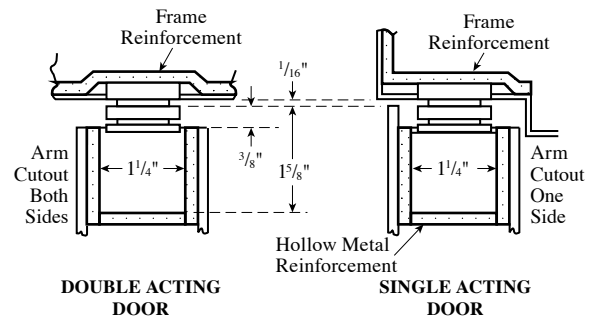
FASTENERS:

Jamb: $\frac{1}{4}$ "-20 x $\frac{3}{4}$ " flat head machine screw or #14 x $1\frac{1}{2}$ " flat head wood screw.
Door: $\frac{5}{16}$ "-18 x $1\frac{1}{2}$ " flat head machine screw or #18 x 3" flat head wood screw.

Template T-OH100

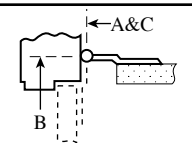
Effective date: January 1, 2017
Supersedes: All Previous

NOTE: ASSA ABLOY reserves the right to make product changes and is not responsible for obsolete template errors. To ensure your template is current, please visit our website at www.rockwoodmfg.com or call us at 800-458-2424



CAUTION:

Note location of swing clear hinge centerline to determine "A", "B" and "C" dimensions.



Rockwood OH100 Series Concealed Door Stops and Holders (cont.)

When using center hung pivots, check pivot manufacturer's compatibility prior to specifying.

No. 1 Series Concealed Door Stops and Holders

1. See other side for installation instructions.
2. Select proper dimensions noted below.
3. Add 5/8" to "A" dimension for dead stop.
4. All dimensions given in inches.

1 3/4 - 2 1/4 Butts & 3/4 Offset Pivot	Device Number		Degree	85° H.O.				90° H.O.				95° H.O.				100° H.O.				105° H.O.				110° H.O.				
	H.O.	Stop	Door Opening	A	B	C	E	A	B	C	E	A	B	C	E	A	B	C	E	A	B	C	E	A	B	C	E	F
101H	101S	24 - 28	4 7/16	5 1/2	4 3/4	11 7/8	4 1/8	5 3/16	4 1/2	13 1/4	3 13/16	4 7/8	3	14 7/16	3 1/2	4 9/16	1 1/2	15 5/8	3 1/4	4 5/16	0	16 7/8	3 1/16	4 1/8	0	16 5/8	17 3/16	
102H	102S	28 1/16 - 33	6 3/16	6 9/16	6	15 3/4	5 13/16	6 3/16	5 1/2	15 7/8	5 7/16	5 13/16	4 1/2	16 1/2	5 1/8	5 1/2	3 1/2	17 3/16	4 7/8	5 1/4	2 1/4	18 3/16	4 5/8	5	1	19 1/8	18 7/16	
103H	103S	33 1/16 - 38	9 3/4	7 7/8	7 3/4	19 1/16	9 5/16	7 7/16	7 1/4	19 1/8	8 7/8	7	6 3/4	19 1/8	8 7/16	6 9/16	6 1/4	19 1/4	8 1/8	6 1/4	5 1/2	19 5/8	7 7/8	6	4 1/4	20 5/8	19 15/16	
104H	104S	38 1/16 - 43	12 11/16	9 11/16	9 1/2	22 3/8	12 3/16	9 3/16	9	22 3/8	11 11/16	8 11/16	8 1/2	22 3/8	11 3/16	8 3/16	8	22 3/8	10 3/4	7 3/4	7 1/2	22 3/8	10 7/16	7 7/16	7 1/4	22 3/8	22 1/16	
105H	105S	43 1/16 - 48	16 5/16	11 1/16	10 3/4	26 1/4	15 11/16	10 7/16	10 1/4	26 1/4	15 1/16	9 13/16	9 1/2	26 1/4	14 9/16	9 5/16	9	26 1/4	14 1/8	8 7/8	8 3/4	26 1/4	13 3/4	8 1/2	8 1/4	26 1/4	23 9/16	

NOTE:

A, B, and C dimensions measured from centerline of pivot, not edge of door.

1 3/4 - 2 1/4 Center Hung	Device Number		Degree	85° H.O.				90° H.O.				95° H.O.				100° H.O.				105° H.O.				110° H.O.				
	H.O.	Stop	Door Opening	A	B	C	E	A	B	C	E	A	B	C	E	A	B	C	E	A	B	C	E	A	B	C	E	F
-	-	-	-	-	-	-	-	-	-	-	-	-	-	-	-	-	-	-	-	-	-	-	-	-	-	-	-	-
102H	102S	30-36	6 5/8	7	6 3/4	15 3/8	6 1/4	6 5/8	6 3/8	15 3/8	5 7/8	6 1/4	6	15 3/8	5 9/16	5 15/16	5 3/4	15 3/8	5 5/16	5 11/16	5 1/2	15 3/8	-	-	-	19 1/8	18 7/16	
103H	103S	36 1/16 - 41	10 3/8	8 1/2	8 1/4	19 1/8	9 7/8	8	7 3/4	19 1/8	9 7/16	7 9/16	7 3/8	19 1/8	9 1/16	7 3/16	7	19 1/8	8 11/16	6 13/16	6 1/2	19 1/8	8 3/8	6 1/2	6 1/4	19 1/8	19 15/16	
104H	104S	41 1/16 - 46	13 1/4	10 1/4	10	22 3/8	12 5/8	9 5/8	9 3/8	22 3/8	12 1/8	9 1/8	9	22 3/8	11 5/8	8 5/8	8 1/2	22 3/8	11 1/4	8 1/4	8	22 3/8	10 7/8	7 7/8	7 3/4	22 3/8	22 1/16	
105H	105S	46 1/16 - 50	17	11 3/4	11 1/2	26 1/8	16 1/4	11	10 3/4	26 1/8	15 9/16	10 5/16	10	26 1/8	15 1/16	9 13/16	9 1/2	26 1/8	14 5/8	9 3/8	9	26 1/8	14 3/16	8 15/16	8 3/4	26 1/8	23 9/16	

* Butt mounting only. Reversible, non-handed.